

Security and Compliance in Shared Resource Cloud Environments

Multitenant cloud security is a critical concern for cloud service providers and end users alike. One significant challenge involves maintaining compliance to corporate and regulatory standards, while leveraging the shared infrastructure model's cost benefits and improved operational efficiency. In order to meet this challenge, the cloud network architecture must enable security policies to be enforced exactly as they are within the enterprise network – that is, each tenant must have their own private, isolated, and secure virtual network security infrastructure.

The Vyatta Advantage:

Complete Network OS in a Single Virtual Package

The Vyatta Network OS is optimized to run in virtual environments to enforce security policies, and manages traffic in the same way that a physical router, firewall, VPN or intrusion prevention device does in traditional infrastructure.

Complex N-Tier Security

Vyatta's mature routing, firewall, VPN, and IPS capabilities enable tenants to define advanced multi-tier networks, preserving complex security and compliance policies enforced in their local physical networks.

Combat VLAN Sprawl

Deploying Vyatta Network OS on a per-customer provides application isolation and security policy compliance while minimizing reliance on VLANs.. Vyatta also eliminates unnecessary latency, by reducing multi-trip packet flows between the hypervisor and external physical devices.

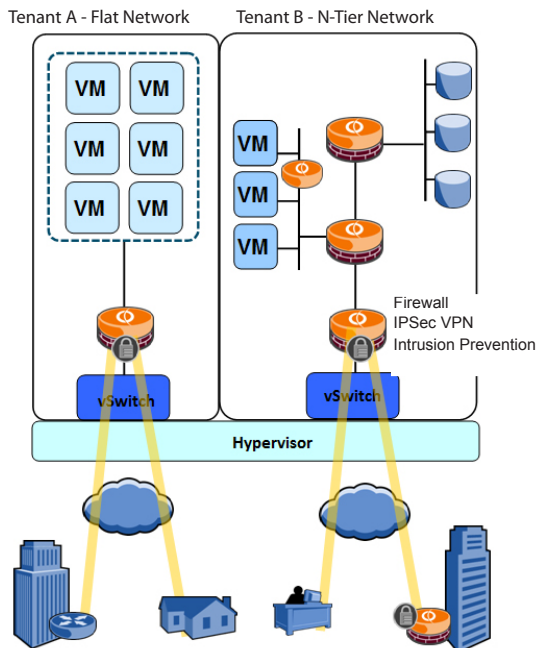
Auto Provisioning & Remote Management

The Vyatta Remote Access API and advanced configuration scripting options enable simplified management, orchestration and provisioning through 3rd-party tools. The result is simple button-click deployment and user-defined, template-based configuration of network connectivity and security.

Utility Licensing

Replacing a hardware-based Capex infrastructure investment strategy with a software-based Opex solution results in faster ROI, greater flexibility, and lower risk when structuring cloud service offerings. Vyatta solutions are available in monthly pay-per-use billing options that map directly to utility cloud computing consumption models.

Vyatta Network OS for Multitenant Clouds



Vyatta enables a multitenant private cloud service with dedicated virtual FW/VPN/IPS and connectivity, enabling tighter control over VM sprawl, and eliminating the need for external physical networking appliances.

CARPATHIA HOSTING, INC. "Carpathia provides hosting and cloud services for some of the world's most demanding organizations. The Vyatta Network OS satisfies our customers' most critical compliance and security challenges, while offering the flexibility to work within our on-demand cloud infrastructure and business model!"

COMPETITIVE LANDSCAPE				
	Vyatta Network OS	VMware VShield	Juniper vGW	Cisco VSG
Stateful Firewall	Y	Y	Y	Y
Network IPS	Y	N	N	N
IPSec and SSL VPN	Y	IPSec only	N	N
Open Management API	Y - REST	N	Y - XML	N
Secure Cloud Bridging	Y	N	N	N
Auto-Provisioning	Any System	vCenter	?	vCenter
Hypervisor Readiness	VMware, XenServer, Xen, Red Hat KVM	VMware	VMware, Xen	VMware
Platform Dependencies	None	VMware ESX	Juniper SRX	Nexus 1000V

